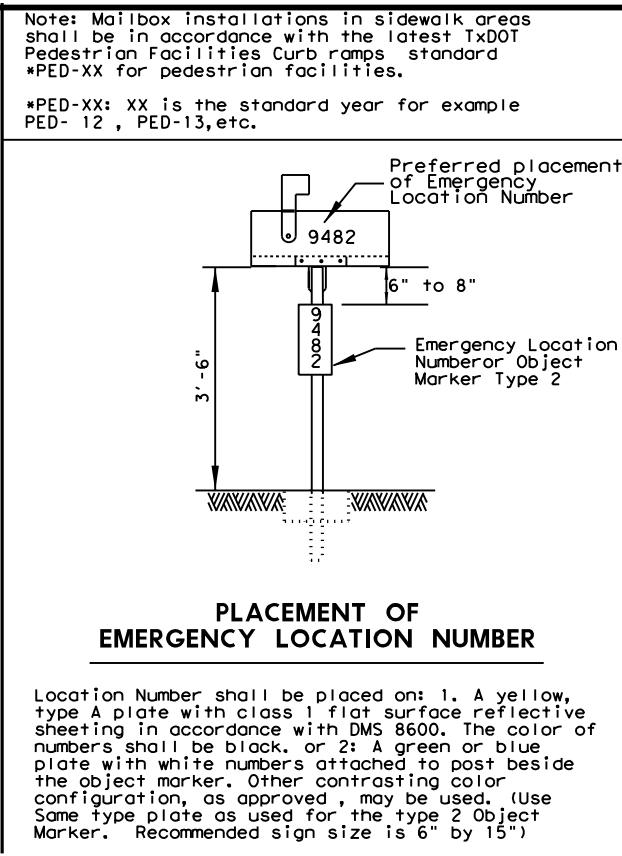
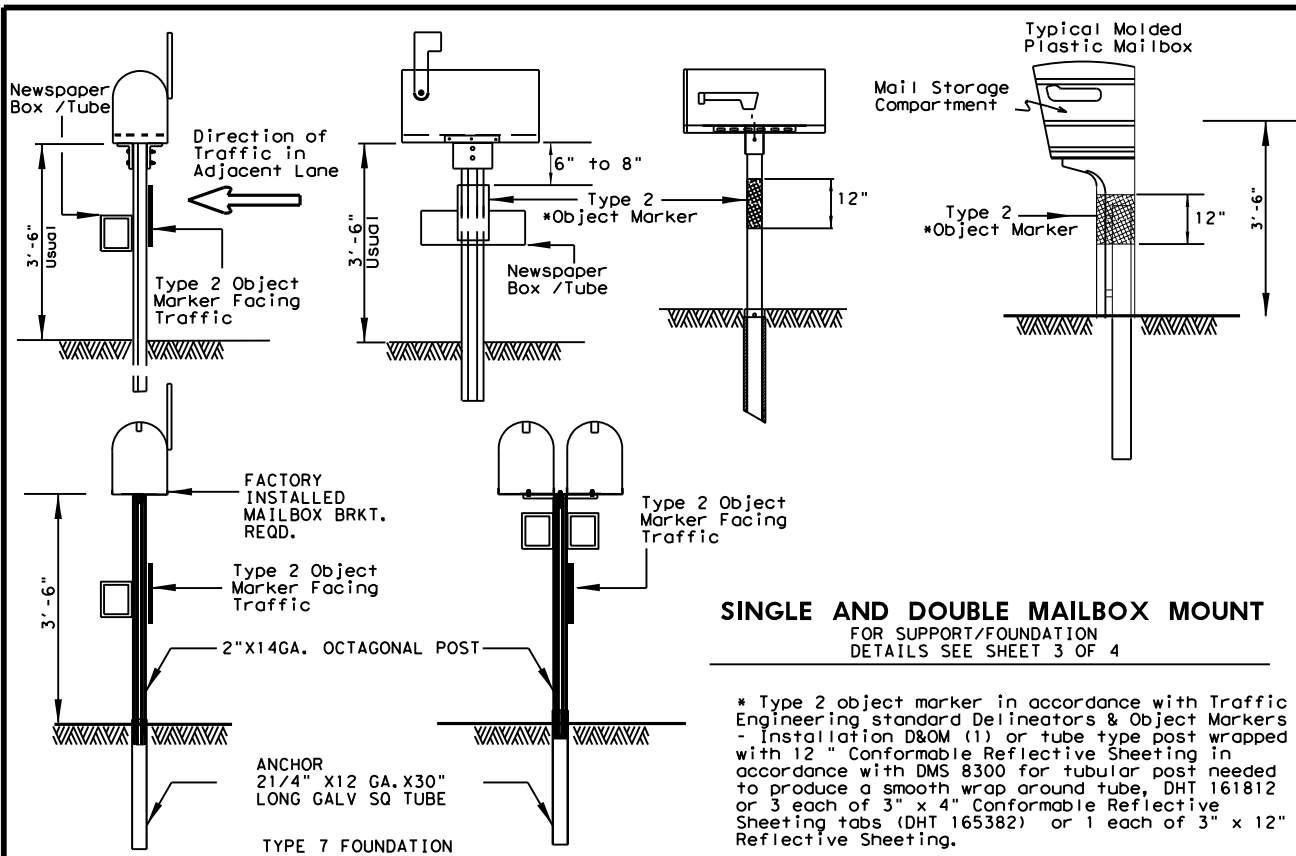


DISCLAIMER: The use of this standard is governed by the "Texas Engineering Practice Act". No warranty of any kind is made by TxDOT for any purpose whatsoever. TxDOT assumes no responsibility for the conversion of this standard to other formats or for incorrect results or damages resulting from its use.



TYPICAL MAILBOX SIZE

SIZE	INCHES			POUNDS	
	LENGTH	WIDTH	HEIGHT	MAXIMUM WEIGHT	
SMALL	19 1/2	6	7	5	5
MEDIUM	22 1/2	8	11 1/2	7	7
LARGE	23 1/2*	11 1/2*	13 1/2*	10	10

* Maximum allowed dimensions for mailbox
** Excluding Molded Plastic on 4 X 4 Post

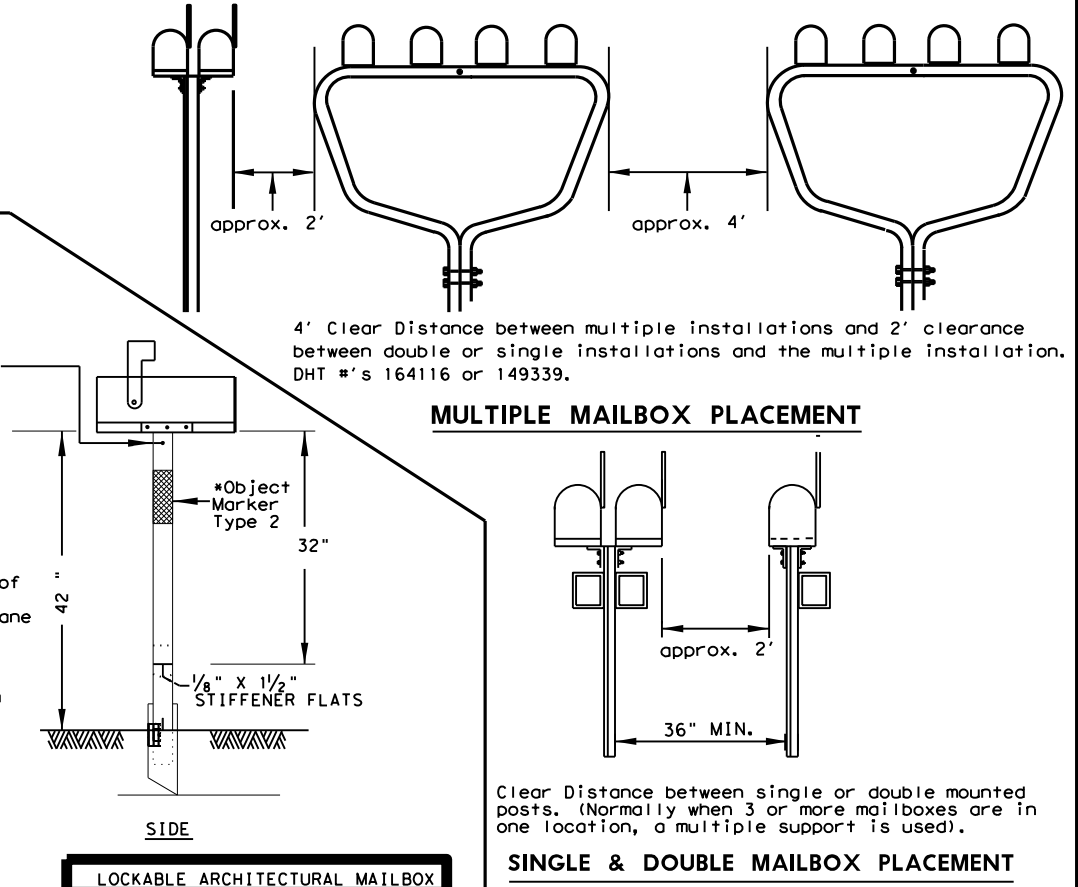
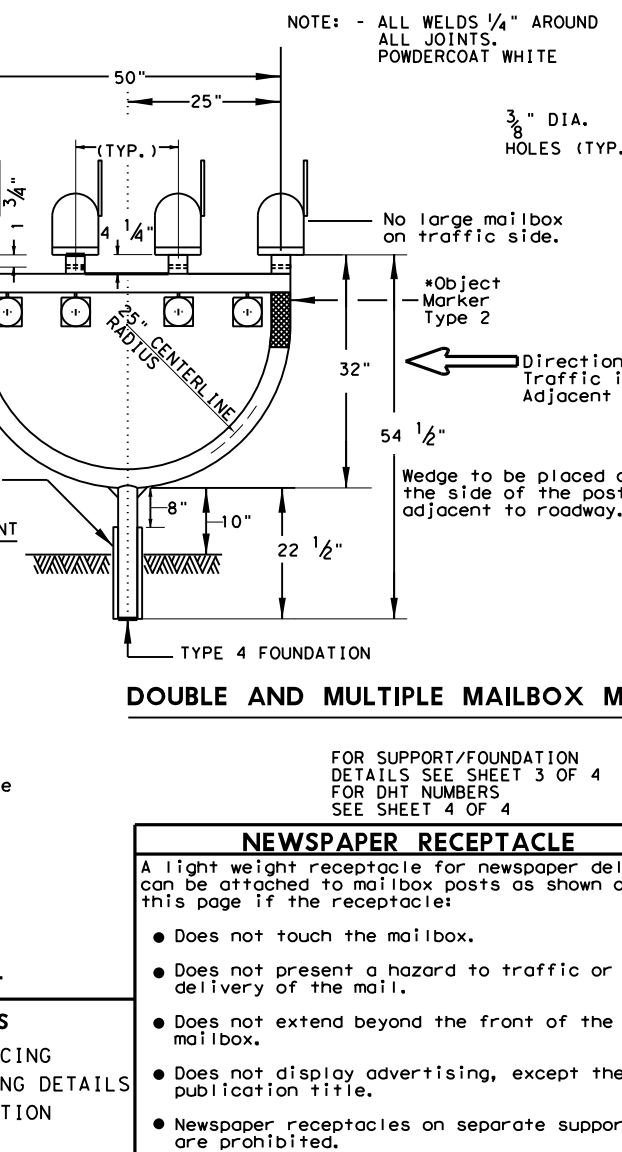
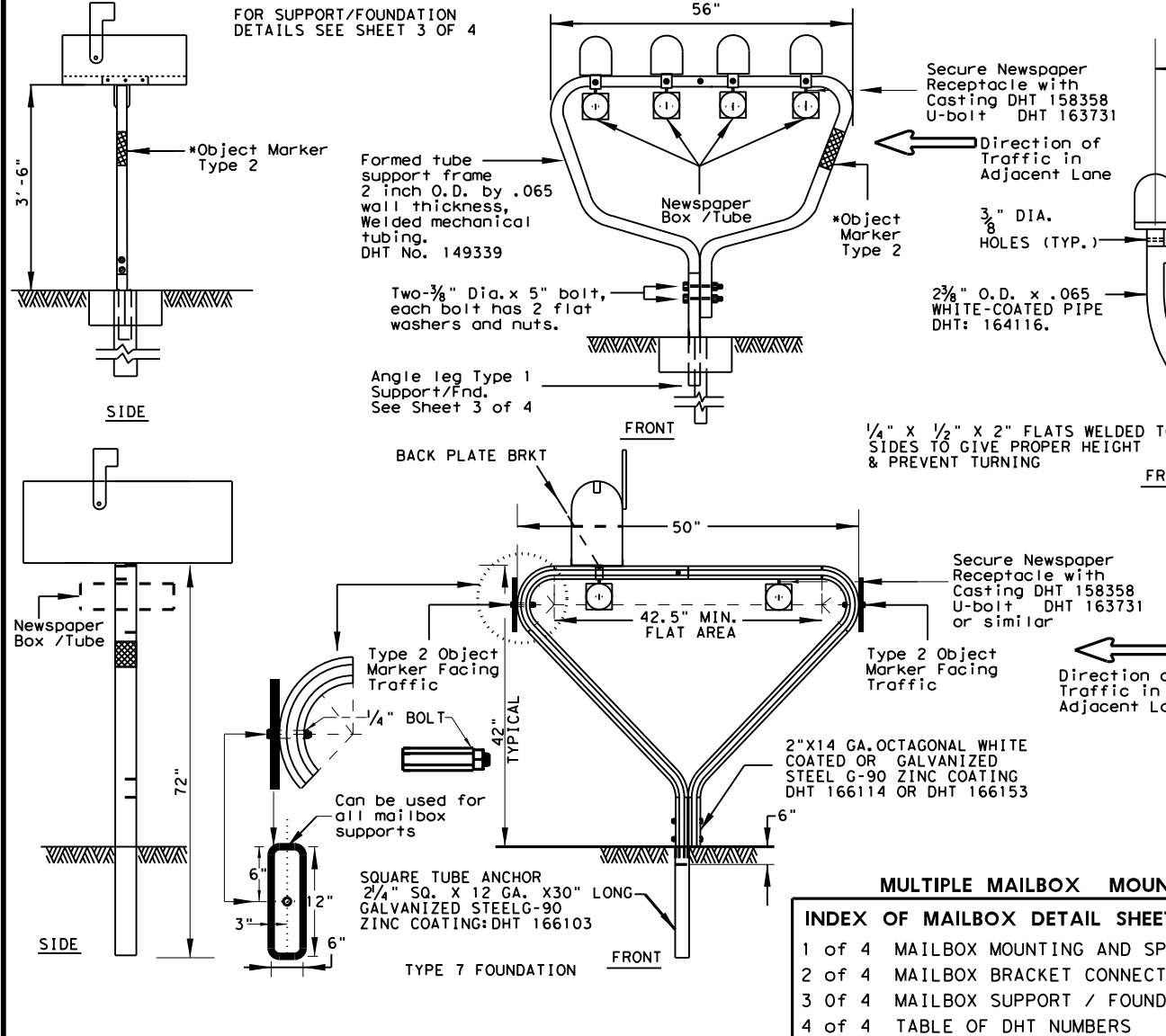
LOCKABLE ARCHITECTURAL MAILBOX SIZE (INCHES)

VIEW	TOP	BOTTOM	FRONT SIDE	BACK SIDE	WEIGHT (POUNDS)
SIDE	18	15	18.3	15	
BACK	11 1/2	11 1/2		15	22.4

SEE TOP RIGHT CORNER OF SHEET 2 OF 4

Mailboxes shall be made of light weight sheet metal or light weight plastic. Lockable architectural mailboxes shall meet the requirements of the above table.

Heavy steel, cast iron or decorative mailboxes shall not be used on the state highway system.



LOCKABLE ARCHITECTURAL MAILBOX

SEE SHEET 4 OF 4 FOR DETAILS

PLAN VIEW

ELEVATION VIEW

IMPACT

42"

17"

30"

12"

1

2

3

4

5

6

7

8

9

10

11

12

13

14

15

16

17

18

19

20

21

22

23

24

25

26

27

28

29

30

31

32

33

34

35

36

37

38

39

40

41

42

43

44

45

46

47

48

49

50

51

52

53

54

55

56

57

58

59

60

61

62

63

64

65

66

67

68

69

70

71

72

73

74

75

76

77

78

79

80

81

82

83

84

85

86

87

88

89

90

91

92

93

94

95

96

97

98

99

100

MAILBOX MOUNTING AND SPACING MB-15(1)

SHEET 1 OF 4

Texas Department of Transportation

Maintenance Division Standard

FILE:MB14(1).DGN

DN: JEO

CK: JEO

DW:

CK:

© TxDOT APRIL 2015

CONT

SECT

JOB

HIGHWAY

REVISIONS:

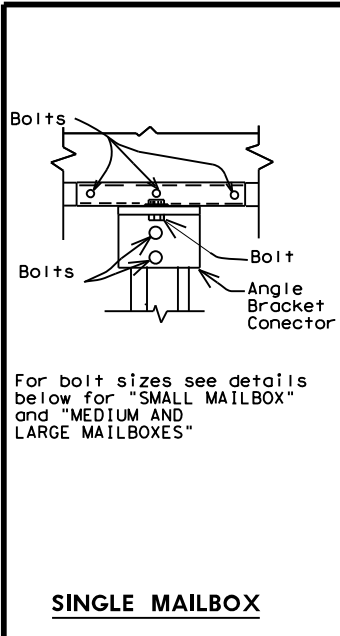
Added additional newspaper receptacle for double mailbox support

DIST

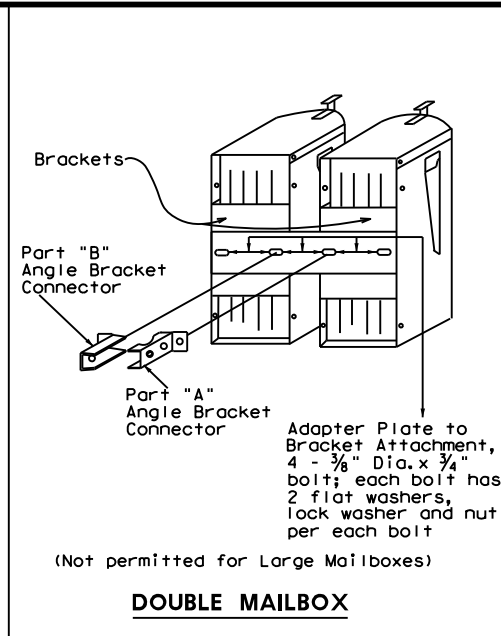
COUNTY

SHEET NO.

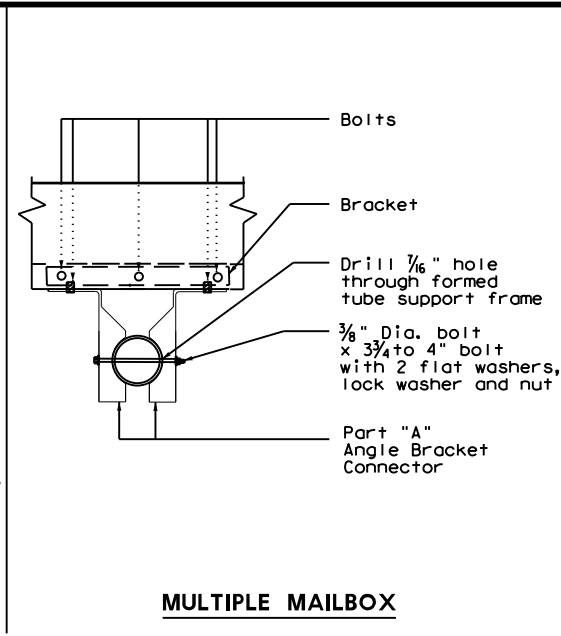
DISCLAIMER: The use of this standard is governed by the "Texas Engineering Practice Act". No warranty of any kind is made by TxDOT for any purpose whatsoever. TxDOT assumes no responsibility for the conversion of this standard to other formats or for incorrect results or damages resulting from its use.



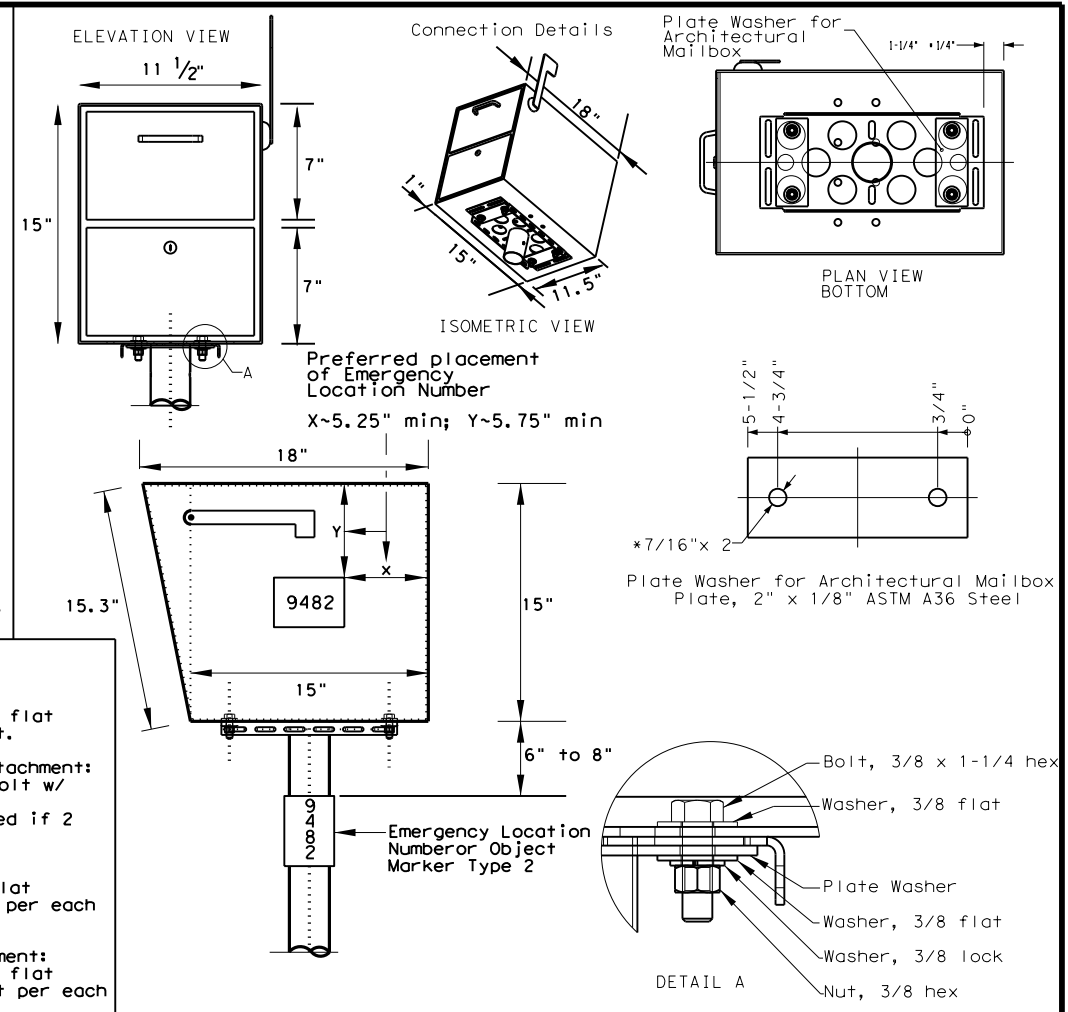
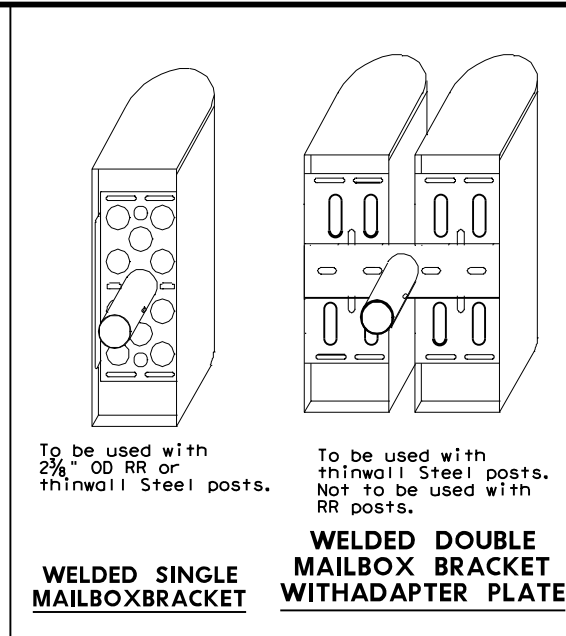
SINGLE MAILBOX



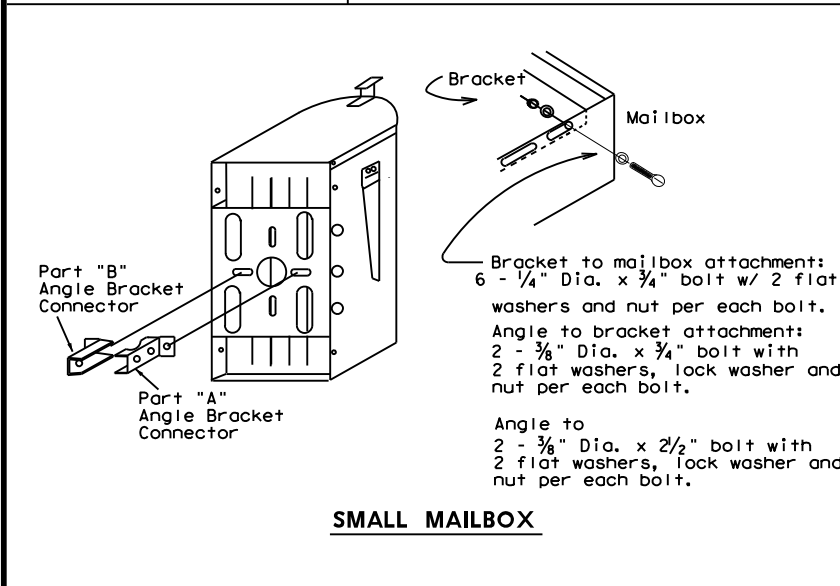
DOUBLE MAILBOX



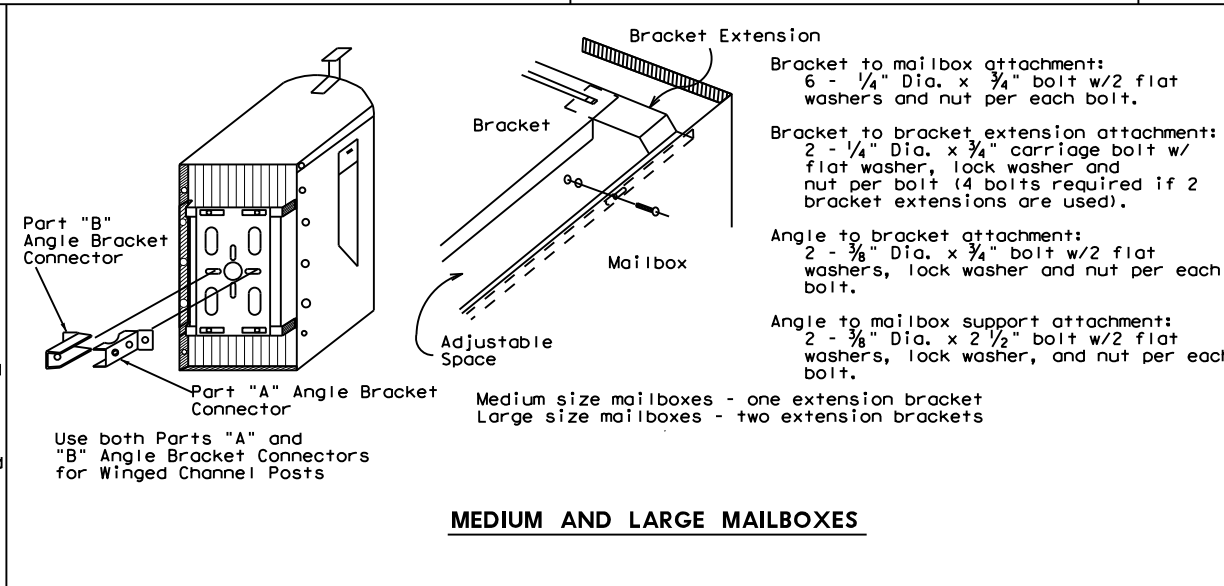
MULTIPLE MAILBOX



LOCKABLE ARCHITECTURAL MAILBOX CONNECTION DETAILS



SMALL MAILBOX



MEDIUM AND LARGE MAILBOXES

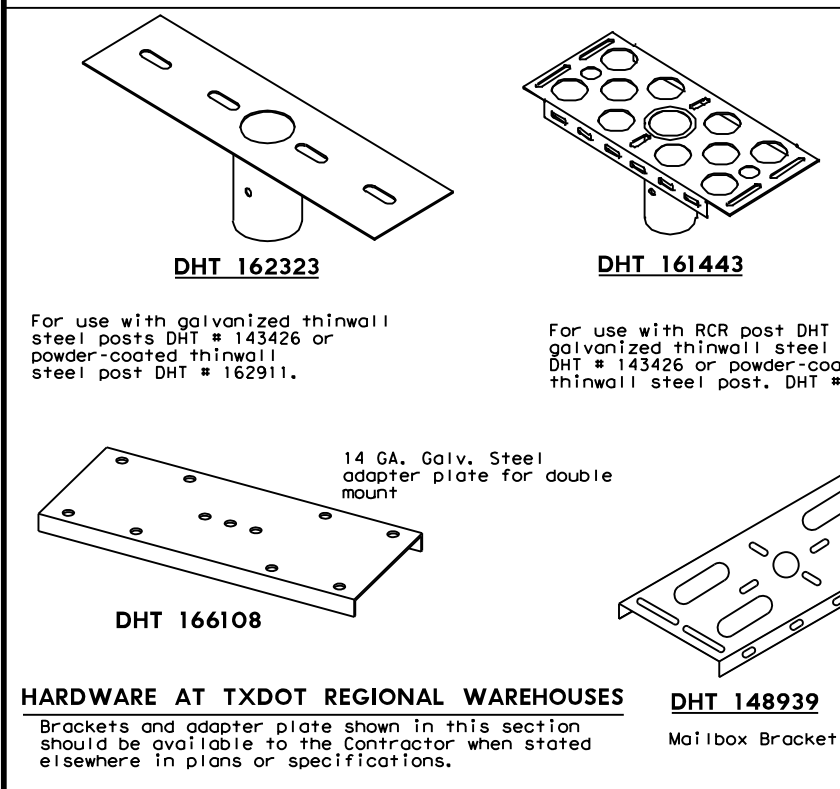
GENERAL NOTES

1. Connecting hardware detailed on this sheet is for the hardware that the Department stocks at the Regional Warehouses. This hardware is available to the contractor only when so stated elsewhere in the plans or specification.
2. Hardware for mounting mailboxes to the support/foundation furnished by industry should be used when shown on the Maintenance Divisions "Approved Products List." Only mailbox hardware that have been crash tested in accordance with NCHRP Report 350, will be on the approved list.
3. Hardware furnished by industry shall be erected in accordance with the manufacturer's recommendation.
4. Bracket and bracket extension shall be constructed of 14 gauge galvanized steel sheet metal.
5. The angles, brackets and adapter plates shall be constructed of 12 gauge galvanized steel sheet metal.
6. Items with evidence of damage to the galvanized coating or wet storage stains (white rust) will not be accepted.



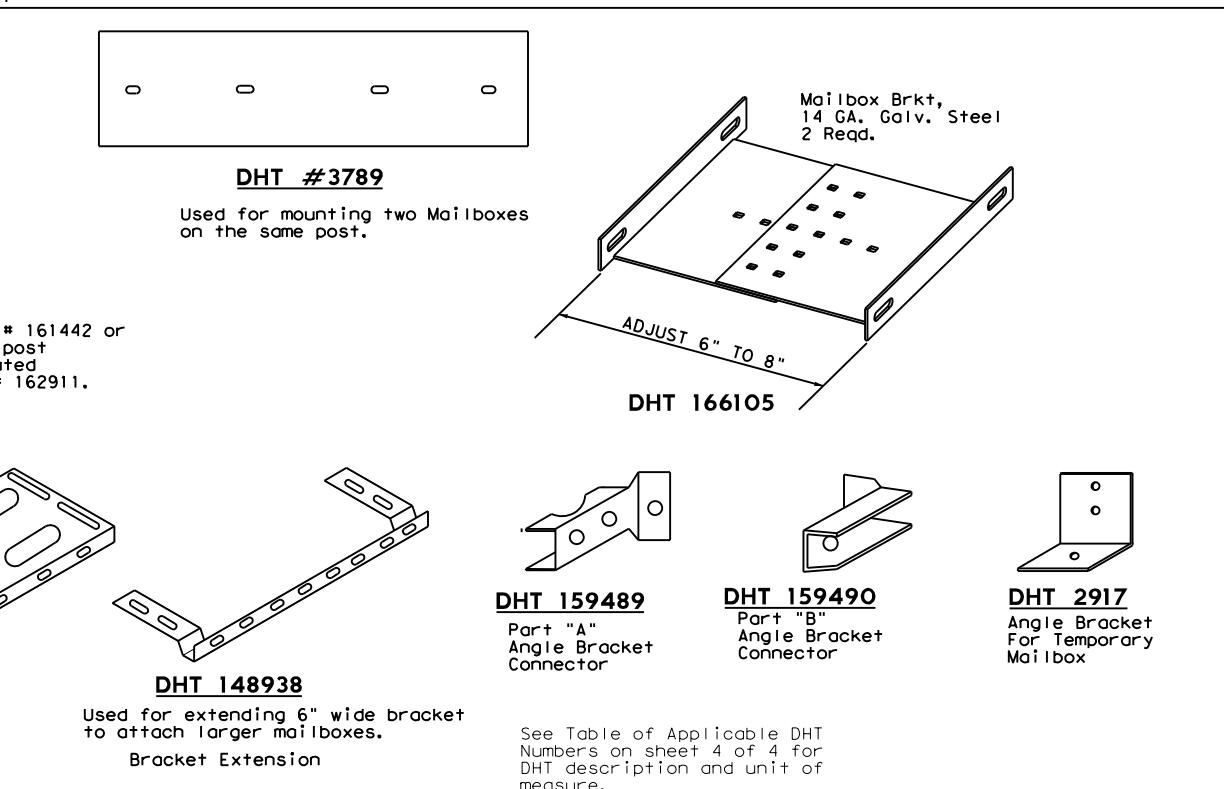
MAILBOX BRACKET CONNECTING DETAILS
MB-15(1)

FILE:MB15(1).DGN	DN: JEO	CK:	DW: JEO	CK:
© TxDOT APRIL 2015	CONT	SECT	JOB	HIGHWAY
ADDED DHT 163730	REVISIONS			
DIST	COUNTY		SHEET NO.	



HARDWARE AT TxDOT REGIONAL WAREHOUSES

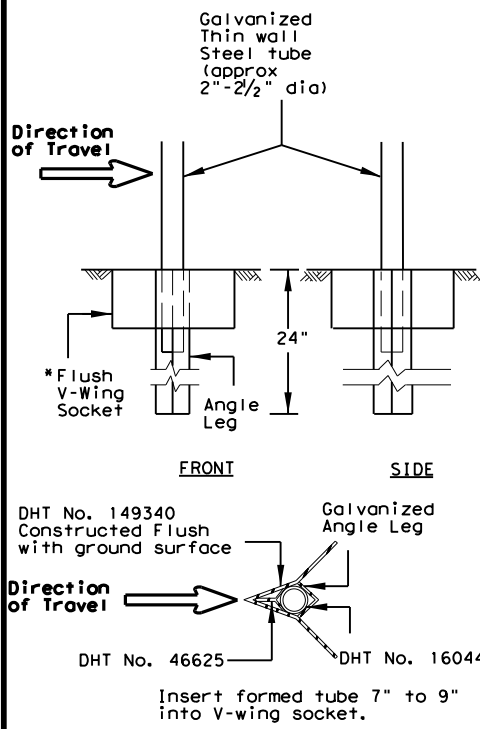
Brackets and adapter plate shown in this section should be available to the Contractor when stated elsewhere in plans or specifications.



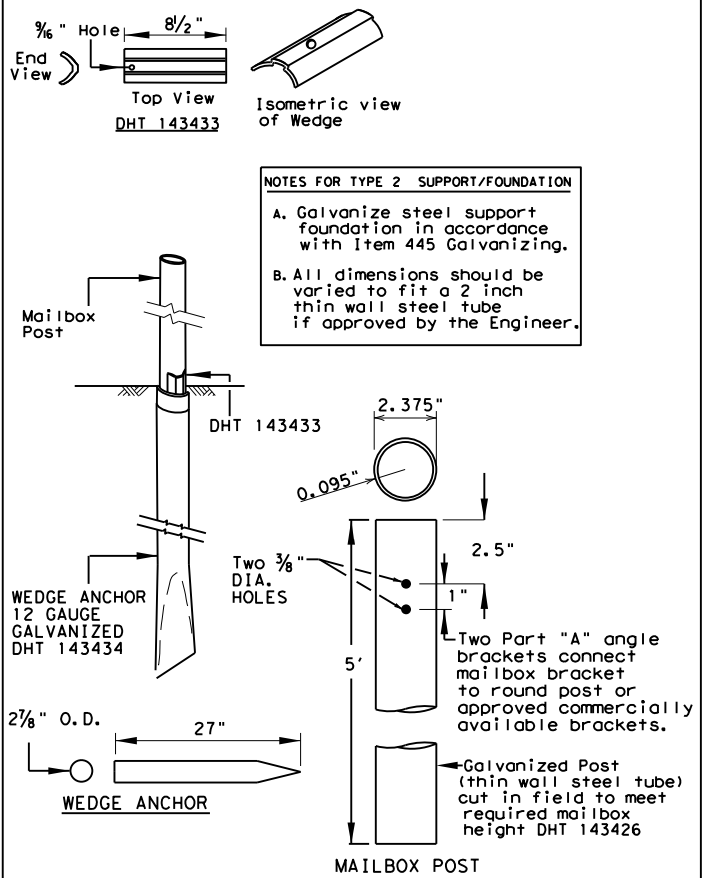
DHT 148939

Mailbox Bracket

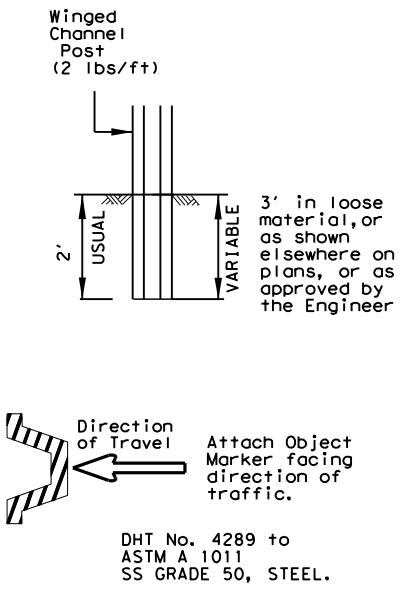
DISCLAIMER: The use of this standard is governed by the "Texas Engineering Practice Act". No warranty of any kind is made by TxDOT for any purpose whatsoever. TxDOT assumes no responsibility for the conversion of this standard to other formats or for incorrect results or damages resulting from its use.



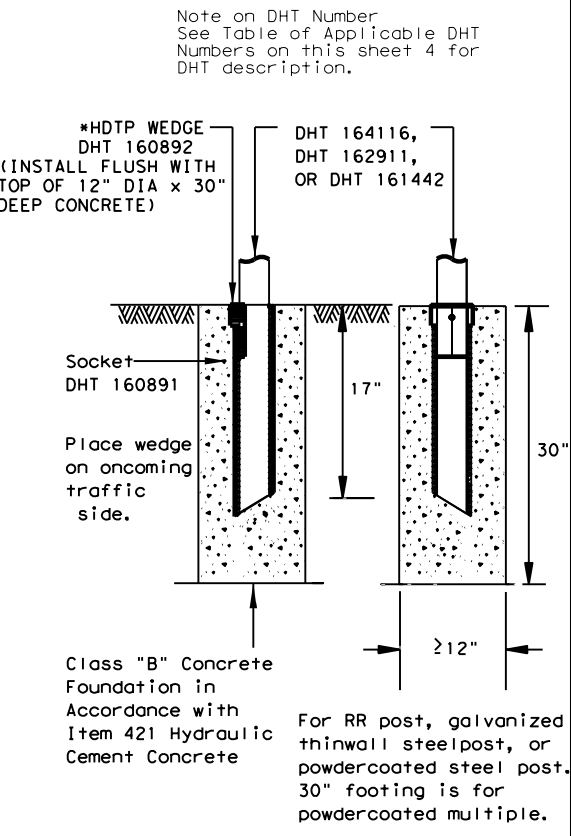
TYPE 1 SUPPORT/FOUNDATION
THIN WALL STEEL TUBE w/ V-LOC ANCHORAGE



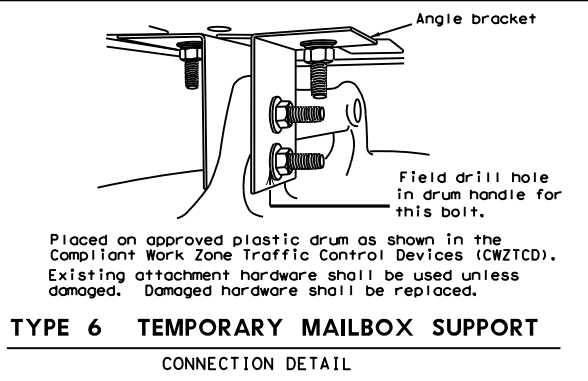
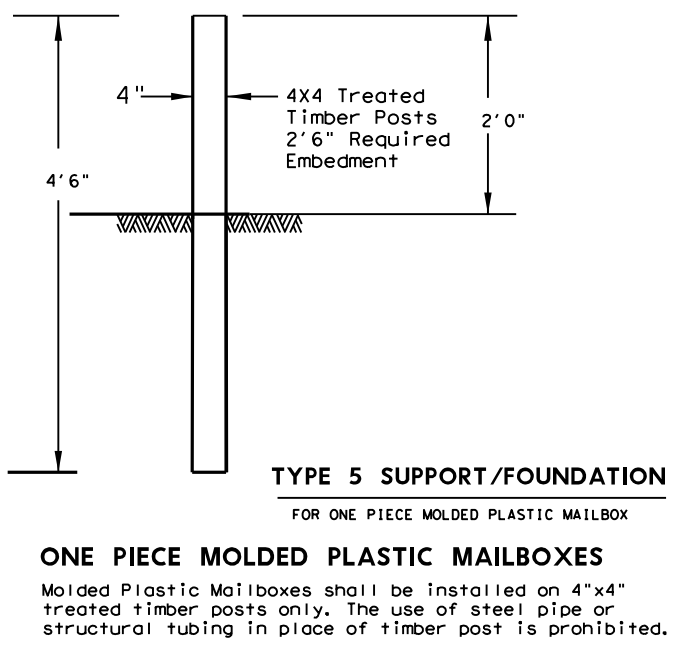
TYPE 2 SUPPORT/FOUNDATION
THIN WALL STEEL TUBE w/ WEDGE ANCHOR SYSTEM



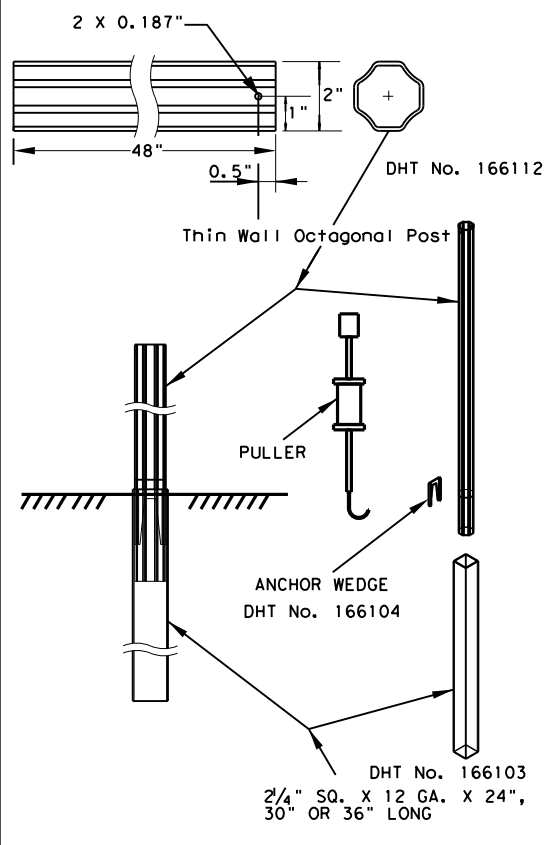
TYPE 3 SUPPORT/FOUNDATION
WINGED CHANNEL POST



TYPE 4 SUPPORT/FOUNDATION
FOR WHITECOATED STEEL POST, MULTIPLE POST, AND RECYCLED RUBBER.



- GENERAL NOTES
- Erect post plumb or vertical.
 - When galvanized part is required galvanize in accordance with Item 445.
 - type 1, 2, 3, 4 or 7 supports or foundation can be used for single or double mailbox installations. The RCR post should be used only for a single installation with a small mailbox. The Type 5 support/foundation is used for the single molded plastic mailbox. The Type 4 support/foundation is used for the 2.375" O.D. RR post, thin wall steel post, and white multiple mailbox post.
 - The Type 1 or type 7 support/foundation can be used for a multiple mailbox mount.
 - The Type 4 support should be used with thin wall steel pipe for the medium, large and double mailbox installations.
 - Use a concrete footing as shown or when directed. Concrete footing will be required when soils do not hold the support/foundations in a stable condition.



TYPE 7 MAILBOX SUPPORT/FOUNDATION
CONNECTION DETAIL

MB-(X) ASSM TY (XXX) (X) (XX) (OPTIONAL)

Type of Mailbox
S = Single
D = Double
M = Multiple
SP = Single Plastic

Type of Post
WC = Winged Channel Post
RR = Recycled Rubber
TWW = Thin Walled White Tubing
TWG = Thin Walled Galvanized Tubing
TIM = Timber

Type of Foundation
Ty 1 = V-Loc
Ty 2 = Wedge Anchor Steel System
Ty 3 = Winged Channel post
Ty 4 = Wedge Anchor Plastic System
Ty 5 = 4 X 4 Post
Ty 7 = Wedge Anchor

Type of Bracket
AB = Angle Bracket.
TB = 2.375" Tube Bracket

DOUBLE AND LARGE MAILBOXES MUST BE ON STEEL POST.

*HOTP: High density thermoplastic polyesters



MAILBOX SUPPORT AND FOUNDATION
MB-15(1)

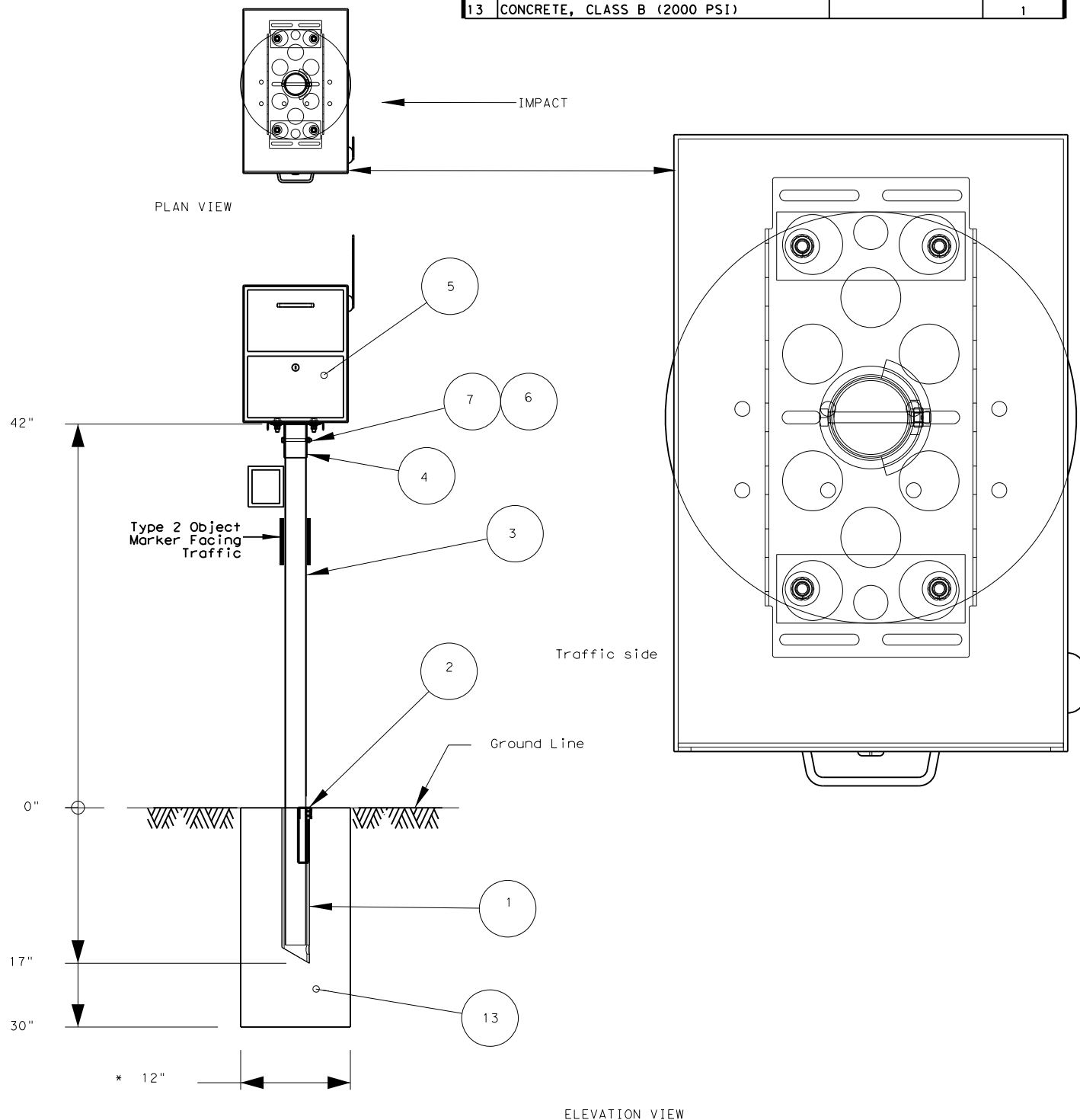
FILE:MB14(1).DGN	DN: JEO	CK:	DW: JEO	CK:
© TxDOT APRIL 2015	CONT	SECT	JOB	HIGHWAY
REVISIONS				
	DIST	COUNTY	SHEET NO.	

LOCKABLE ARCHITECTURAL MAILBOX

SINGLE-MOUNT INSTALLATION PARTS

#	PART NAME	PART/DHT #	QTY
1	SOCKET, TYPE 4 FOUNDATION	160891	1
2	WEDGE FOR TYPE 4 FOUNDATION	160892	1
3	THIN-WALL WHITE STEEL TUBE 2.375 OD	162911	1
4	BRACKET FOR ATTACHING MAILBOX	161443	1
5	ARCHITECTURAL MAILBOX	SEE NOTE	1
6	NUT, 5/16" HEX	NUT, 5/16" HEX	1
7	BOLT, 5/16 X 3 HEX	GRADE 5	1
8	PLATE WASHER FOR ARCHITECTURAL MAILBOX	SEE SEE SHEET 2	2
9	WASHER, 3/8 FLAT		8
10	WASHER, 3/8 LOCK		4
11	NUT, 3/8 HEX		4
12	BOLT, 3/8 X 1-1/4 HEX	GRADE 5	4
13	CONCRETE, CLASS B (2000 PSI)		1

LOCKABLE ARCHITECTURAL MAILBOX DETAILS



DISCLAIMER: The use of this standard is governed by the "Texas Engineering Practice Act". No warranty of any kind is made by TxDOT for any purpose whatsoever. TxDOT assumes no responsibility for the conversion of this standard to other formats or for incorrect results or damages resulting from its use.

TABLE OF APPLICABLE DHT NUMBERS

DHT NUMBER	DESCRIPTION
FOUNDATIONS	
46625	WEDGE FOR V-WING SOCKET FOR TYPE 1 FOUNDATION
149340	V-WING SOCKET FOR TYPE 1 FOUNDATION
143433	WEDGE FOR TYPE 2 FOUNDATION
143434	ANCHOR FOR TYPE 2 FOUNDATION
166103	ANCHOR FOR TYPE 7 FOUNDATION
160891	SOCKET FOR TYPE 4 FOUNDATION
160892	WEDGE FOR TYPE 4 FOUNDATION
166104	WEDGE FOR TYPE 7 FOUNDATION
POSTS	
4289	WINGED CHANNEL MAILBOX POST
149339	MULTIPLE MAILBOX POST (GALVANIZED TUBING)
164116	MULTIPLE MAILBOX POST (WHITE COATED)
166114	MULTIPLE MAILBOX POST (WHITE COATED OCTAGONAL)
166153	MULTIPLE MAILBOX POST (GALVANIZED OCTAGONAL)
161442	RECYCLED RUBBER POST. FOR SMALL MAILBOX ONLY
143426	THIN-WALL GALVANIZED STEEL TUBE 2.375" OUTER DIAMETER
162911	THINWALL WHITE STEEL TUBE 2.375" OUTER DIAMETER
	SINGLE OR DOUBLE THIN-WALL MAILBOX POST GALVANIZED
166152	2" OCTAGONAL
	SINGLE OR DOUBLE THIN-WALL MAILBOX POST WHITECOATED
166112	2" OCTAGONAL
REFLECTIVE SHEETING	
161812	REFLECTIVE SHEETING FOR EMERGENCY LOCATION NUMBER PANEL
CONNECTING HARDWARE	
2917	ANGLE BRACKET USED FOR TEMPORARY MAILBOX SUPPORT
166105	BRACKET FOR SINGLE MOUNTING OF MAILBOXES (MOUNTING KIT)
3789	PLATE FOR DOUBLE MOUNTING OF MAILBOXES
166108	BRACKET FOR DOUBLE MOUNTING OF MAILBOXES (MOUNTING KIT)
166111	BRACKET FOR MULTIPLE MOUNTING OF MAILBOXES (MOUNTING KIT)
148939	BRACKET FOR ATTACHING SMALL OR MEDIUM SIZE MAIL BOX
148938	EXTENDER TO BRACKET FOR ATTACHING LARGE MAILBOX
159489	ANGLE BRACKET PART A
159490	ANGLE BRACKET PART B
	BRACKET FOR DOUBLE MOUNTING OF MAILBOXES ON THINWALL
162323	STEEL POST, GALVANIZED OR POWDERCOATED.
	BRACKET FOR ATTACHING MAILBOX TO RECYCLED RUBBER POST
161443	AND TO MULTIPLE WHITE MAILBOX POST
158358	CASTING (NEWSPAPER RECEPTACLE BRACKET)
163731	U-BOLT (NEWSPAPER RECEPTACLE BRACKET)
160698	BOLT;HEX HEAD, GALV;3/8"DIA X 3/4"L HD, W/2-FLAT WASHERS
163750	BOLT;HEX HEAD, GALV;3/8" X 1-1/2, 16 NC, W/WASHERS
160701	BOLT;HEX HEAD, GALV;3/8"DIA X 2-1/2"L, HD, W/2-FLAT WASHERS
163730	BOLT;HEX HEAD, GALV;3/8" X 3-1/2", NC, W/NUT, 2 FLAT WASHERS
160699	BOLT;HEX HEAD, GALV;3/8"DIA X 3-3/4"L HD, W/2-FLAT WASHERS
160700	BOLT;HEX HEAD, GALV;3/8"DIA X 4"L HD, W/2-FLAT WASHERS



DHT NUMBERS TABLE
MB-15(1)

FILE:MB14(1).DGN	DN:	CK:	DW:	CK:
© TxDOT APRIL 2015	CONT	SECT	JOB	HIGHWAY
REVISIONS	DIST	COUNTY	SHEET NO.	