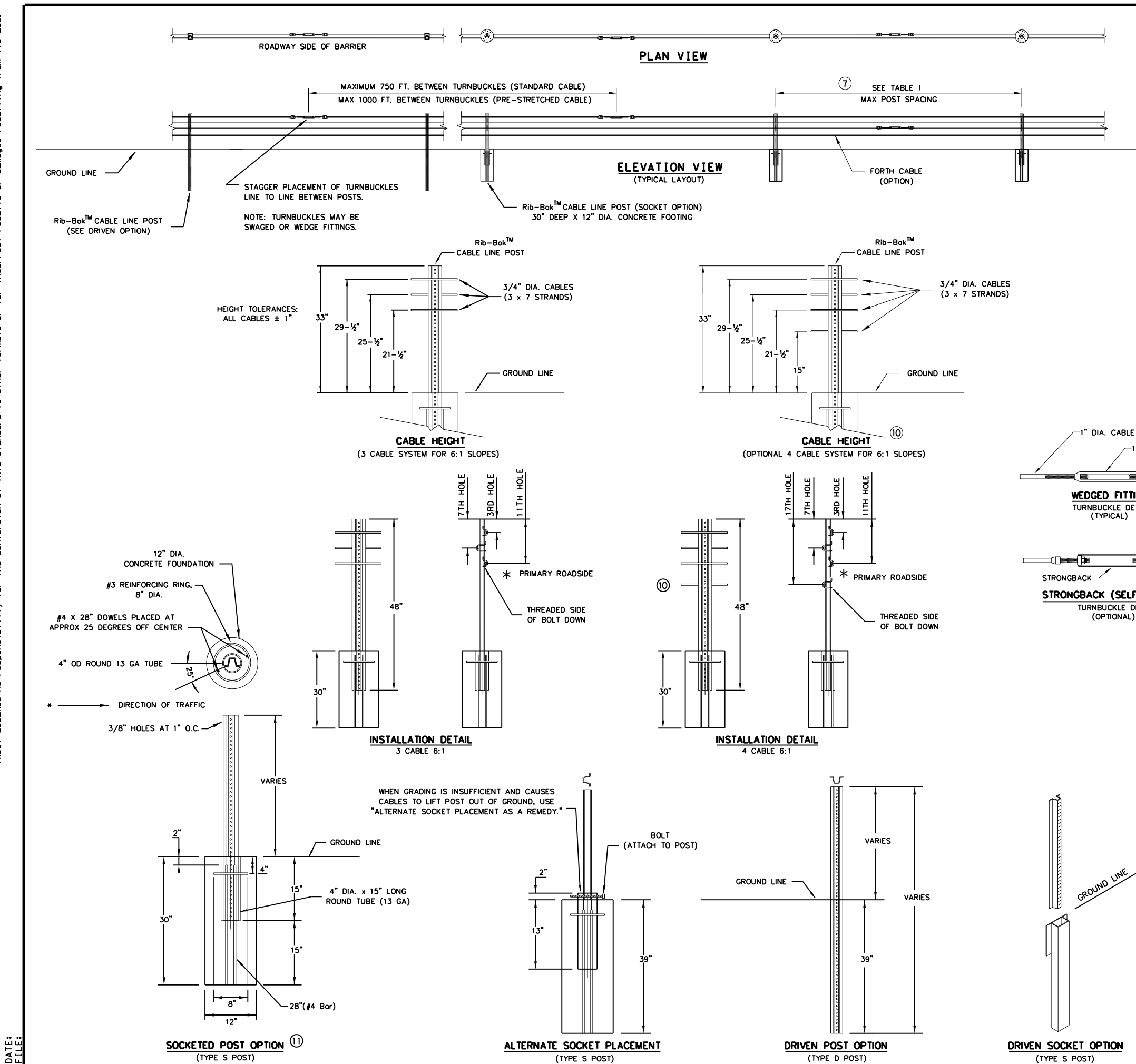


DISCLAIMER: The use of this standard is governed by the "Texas Engineering Practice Act". No warranty of any kind is made by TxDOT for any purpose whatsoever. TxDOT assumes no responsibility for the conversion of this standard to other formats or for incorrect results or damages resulting from its use.



- GENERAL NOTES**
- FOR ADDITIONAL INFORMATION CONTACT YOUR DISTRIBUTOR OR NUCOR STEEL MARION, INC. AT (603) 430-9350.
 - FOR PAYMENT SEE SPECIAL SPECIFICATION "CABLE BARRIER SYSTEM".
 - FOR ADDITIONAL INFORMATION SEE THE MANUFACTURER'S PRODUCT MANUAL.
 - THE NU-CABLE SYSTEM IS DESIGNED FOR BI-DIRECTIONAL TRAFFIC FLOWS. SEE THE MANUFACTURER'S PRODUCT MANUAL FOR PLACEMENT ADJACENT TO GUARDRAIL END TREATMENTS.
 - THE NU-CABLE SYSTEM SHALL BE INSTALLED ON SHOULDERS OR MEDIANS WITH SLOPES OF 6:1 OR FLATTER WITHOUT OBSTRUCTIONS, DEPRESSIONS, ETC. THAT MAY SIGNIFICANTLY AFFECT THE STABILITY OF AN ERRANT VEHICLE.
 - THE NU-CABLE SYSTEM MAY BE INSTALLED ON EITHER SIDE OF THE ROADWAY. Rib-Bok™ CABLE LINE POSTS MAY BE SOCKETED OR DRIVEN DESIGN.
 - THE TL-3 THREE-CABLE AND FOUR-CABLE FOR 6:1 SLOPES CAN USE EITHER A 4# /LF OR 5# /LF POST. SEE TABLE # 1 FOR POST SIZE PER SPACING.
 - SEE (TABLE 2) FOR TENSION AMOUNT AT SPECIFIC CABLE TEMPERATURE FOR INITIAL INSTALLATION.
 - SEE (TABLE 3) FOR TENSION AMOUNT AT SPECIFIC CABLE TEMPERATURE FOR MAINTENANCE.
 - FOURTH (LOWEST) CABLE IS OPTIONAL. SEE PROJECT SPECIFICATIONS FOR REQUIREMENT OF FOURTH CABLE.
 - CONSULT YOUR PROJECT PLAN SHEET AND CABLE BARRIER SPECIFICATIONS FOR DESIRED SOCKET MATERIAL.
 - ALL FOUNDATION DESIGNS ARE BASED ON NCHRP 350 STRONG (S1) SOIL. CONSULT THE MANUFACTURER FOR SPECIFIC FOUNDATION DESIGN IF SOIL TYPES DIFFER.

TABLE 1

POST SIZE TABLE	
POST SPACING	POST SIZE
0' - 17'-6"	4# / LF X 4' OR 6' POST
17'-6" - 20'	5# / LF X 4' POST

POST SPACING IS PER 8 FOOT DEFLECTION REQUIREMENTS. CONSULT PRODUCT MANUAL IF GREATER DEFLECTION IS PERMISSIBLE.

TABLE 2

CABLE TENSION CHART	
INITIAL INSTALL	
F	LBF
120	4624
110	4986
100	5350
90	5713
80	6077
70	6440
60	7167
50	7894
40	8619
30	9346
20	10073
10	10800
0	11525
-10	12252
-20	12979
-30	13706

TABLE 3

CABLE TENSION CHART	
MAINTENANCE	
F	LBF
120	4021
110	4336
100	4652
90	4968
80	5284
70	5600
60	6232
50	6864
40	7495
30	8127
20	8759
10	9391
0	10022
-10	10654
-20	11286
-30	11918

SHEET 1 OF 2

Texas Department of Transportation
Design Division Standard

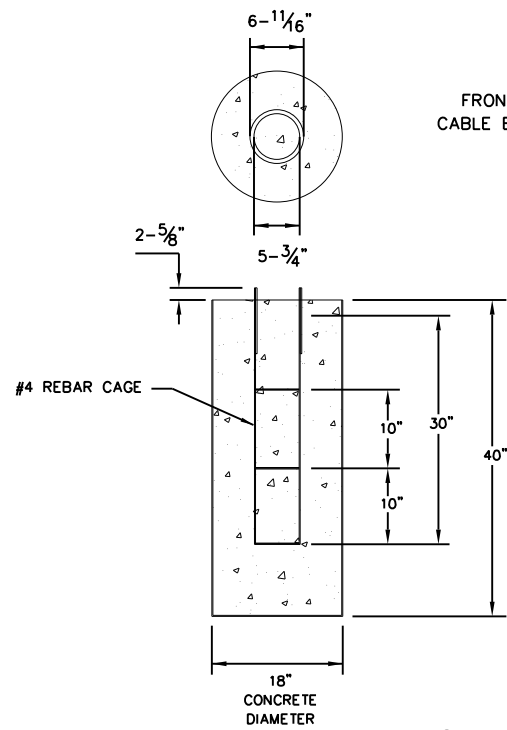
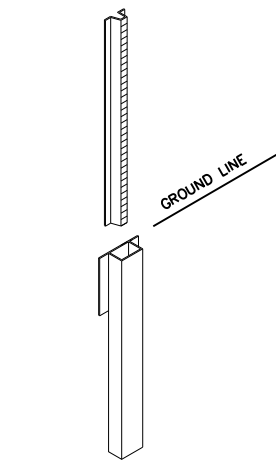
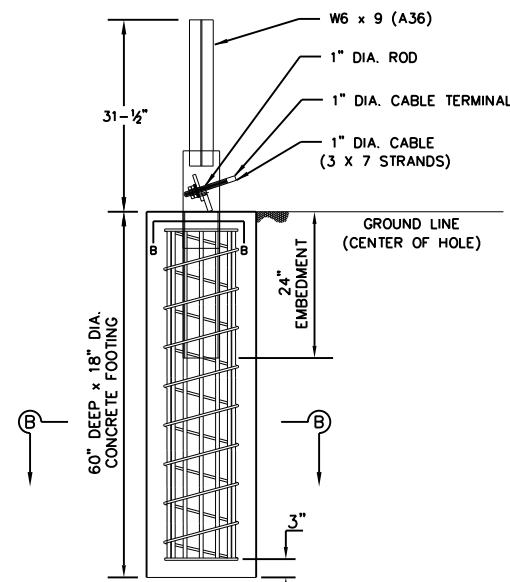
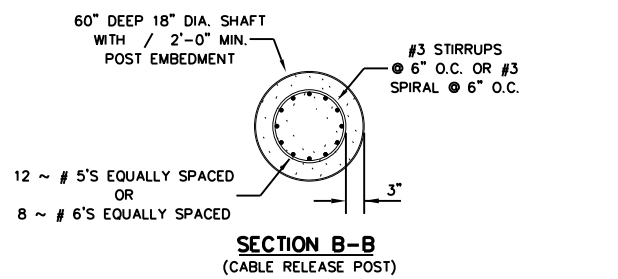
NU-CABLE BARRIER SYSTEM (TL-3) (3 OR 4 CABLE)

NU-CABLE (TL3) - 14

FILE:	DN:	CK:	DW:	CK:
© TxDOT:	CONT	SECT	JOB	HIGHWAY
REVISIONS				
DIST	COUNTY			SHEET NO.

DATE:
FILE:

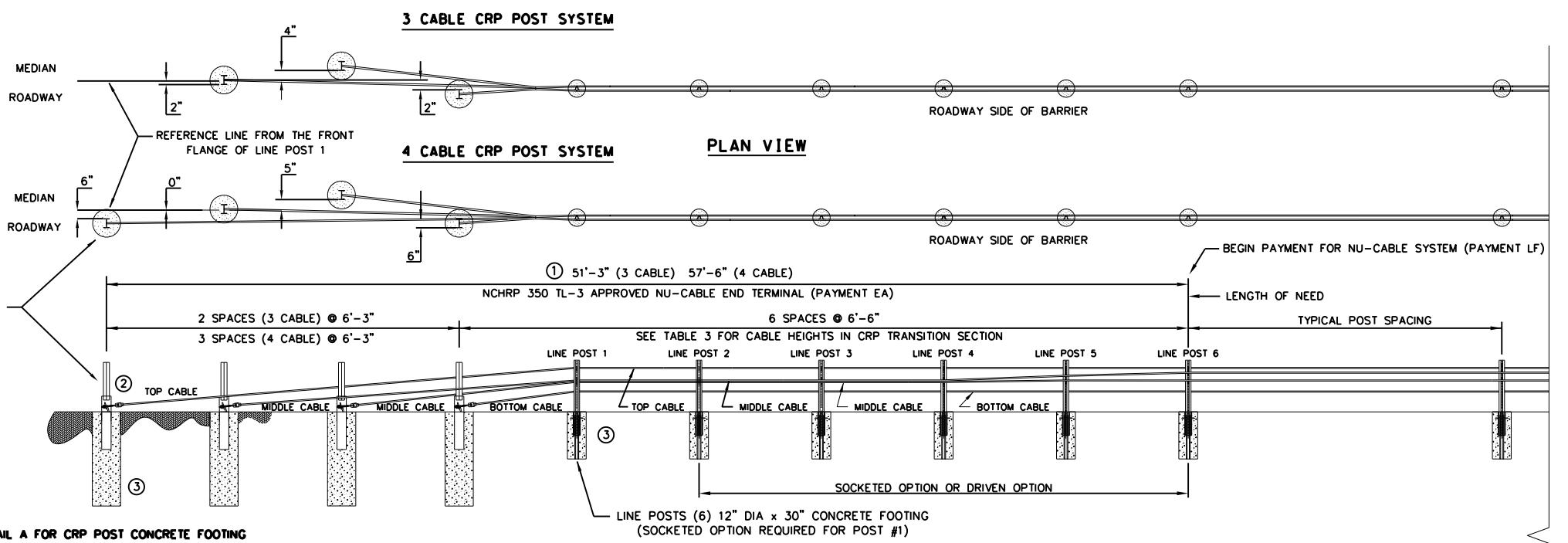
DISCLAIMER: The use of this standard is governed by the "Texas Engineering Practice Act". No warranty of any kind is made by TxDOT for any purpose whatsoever. TxDOT assumes no responsibility for the conversion of this standard to other formats or for incorrect results or damages resulting from its use.



④ **TABLE 4**

CRP END TERMINAL CABLE HEIGHTS - TL-3- THREE CABLE						
	LP 1	LP 2	LP 3	LP 4	LP 5	LP 6
TOP CABLE	28"	28"	28"	28"	30"	30"
MIDDLE CABLE	22"	22"	22"	23"	25"	25"
BOTTOM CABLE	19"	19"	19"	20"	20"	21"
CRP END TERMINAL CABLE HEIGHTS - TL-3- FOUR CABLE 6:1						
	LP 1	LP 2	LP 3	LP 4	LP 5	LP 6
TOP CABLE	28"	28"	28"	28"	30"	30"
UPPER-MIDDLE CABLE	22"	22"	22"	23"	25"	25"
BOTTOM-MIDDLE CABLE	19"	19"	19"	20"	20"	21"
BOTTOM CABLE	15"	15"	15"	15"	15"	15"

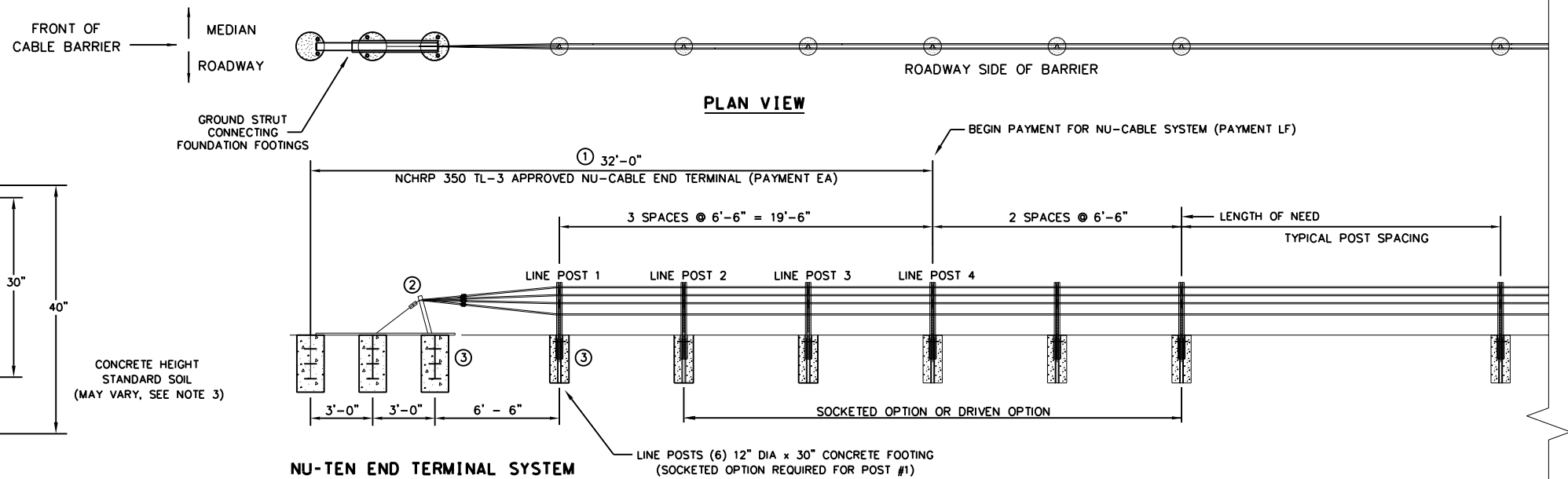
REFER TO SHEET 1 OF 2 FOR LENGTH OF NEED CABLE HEIGHTS.



SEE DETAIL A FOR CRP POST CONCRETE FOOTING

CRP POST END TERMINAL SYSTEMS (3 AND 4 CABLE)

ELEVATION VIEW



NOTES:

1. THE OPPOSING END TREATMENTS ON A PARTICULAR RUN ARE MIRRORED IN THEIR LAYOUT. SYSTEM PAYMENT IS PER EACH (EA). REFER TO PROJECT SPECIFICATIONS FOR ADDITIONAL PAYMENT INFORMATION.
2. REFER TO INSTALLATION MANUAL FOR CABLE END ASSEMBLY DETAIL.
3. ALL FOUNDATION DESIGNS ARE BASED ON NCHRP 350 STRONG (S1) SOIL. CONSULT THE MANUFACTURER FOR SPECIFIC FOUNDATION DESIGNS IF SOIL TYPES DIFFER.
4. SEE TABLE 2 CABLE HEIGHTS IN CRP TRANSITION SECTION.

SHEET 2 OF 2

Texas Department of Transportation Design Division Standard

NU-CABLE BARRIER SYSTEM (TL-3) (3 OR 4 CABLE)

NU-CABLE (TL3) - 14

FILE:	DN:	CK:	DW:	CK:
© TxDOT:	CONT	SECT	JOB	HIGHWAY
REVISIONS		DIST	COUNTY	SHEET NO.

DATE:
FILE: